

ready keg straight from stock



Dealing with seasonal peaks or unexpected increases in demand can result in a shortfall of your keg supply. Our ReadyKegs are the solution. No complications, flexible and fast.

- Available straight from stock in Australia, they're brand new, quality German made
- Available in low quantities
- Available with A or D type valves
- Available with branding - Screen Printed or Etched



All of our kegs come with a 30 year manufacturer's guarantee.



DIN 50
Capacity 50L,
Stackable



EURO 50
Capacity 50L,
Stackable



DIN 30
Capacity 30L,
Stackable



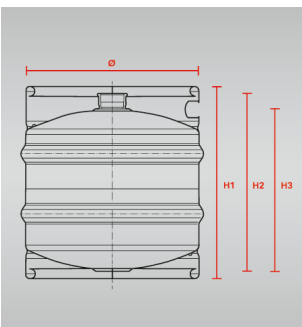
SLIM 30
Capacity 30L,
Stackable



SLIM 20
Capacity 20L,
Not Stackable



SLIM 10
Capacity 10L,
Stackable



Product	Capacity	Diameter	Height H1	Height H2	Height H3	Weight
	Litres	MM	MM	MM	MM	KG
DIN 50	50	363	600	570	541	11.4
EURO 50	50	395	532	490	461	11.8
DIN 30	30	363	400	370	341	9.1
SLIM 30	30	278	600	570	541	7.9
SLIM 20	20	235	570	537	508	5.7
SLIM 10	10	278	276	241	212	4.7